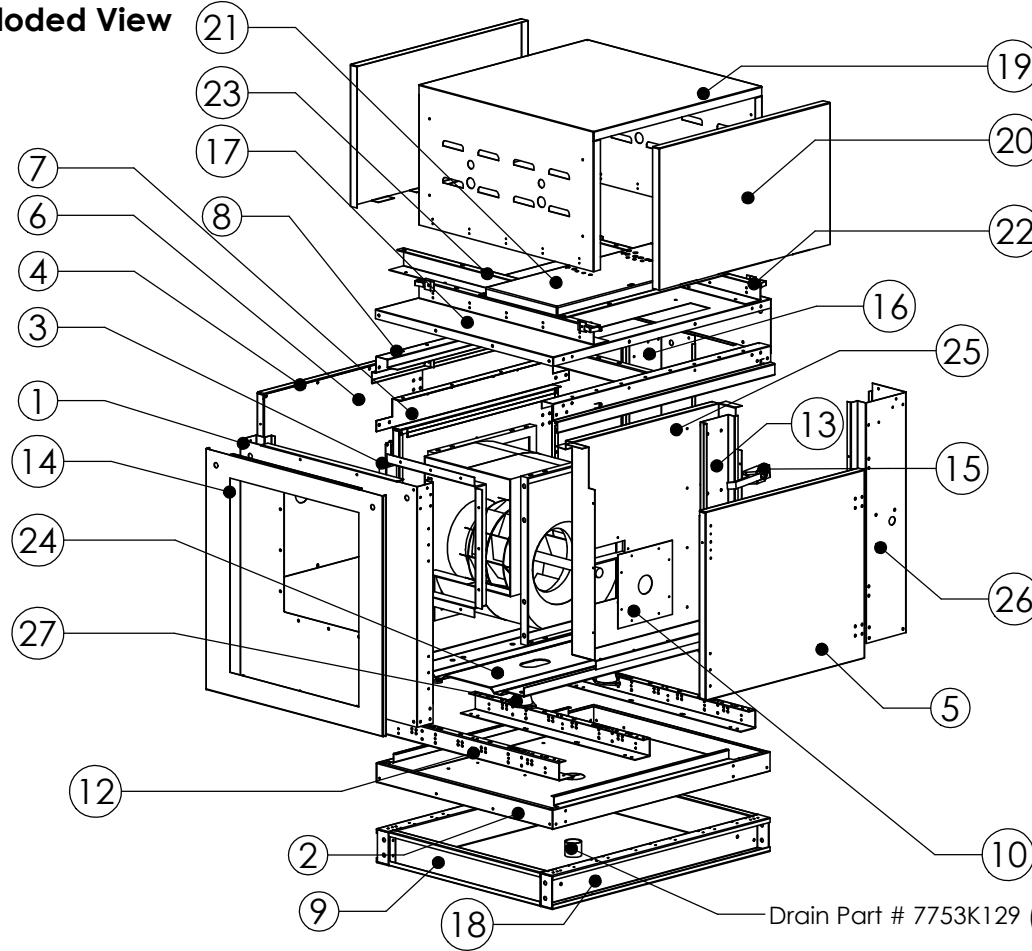


#	Description	Revised by	ECN#	Date
0	Released to Production	NR	2310	4/1/13
1	Updated	NR	2650	9/13/13
2	Hinged Door	NR	2835	9/29/15
3	Updated KB-10 INLINE Main Rail	NR	2917	1/6/17

KB-INLINE Blower Exploded View



NOTE:
High Temp Grommet is installed on ITEM No 23

E*KBFP - INLINE	AX #	Part #
1	A0023279	11626-02731
2	A0023279	11626-02731
3	A0023280	11626-02732
4	A0023280	11626-02732
5	A0023281	11626-02733

#	Part Name	Quantity	10	14	18	20	25	
1	Back	1	B1KBEDS-INLINE	B2KBEDS-INLINE	B3KBEDS-INLINE	B4KBEDS-INLINE	B5KBEDS-INLINE	
2	Bottom	1	B1KBBOT-INLINE	B2KBBOT-INLINE	B3KBBOT-INLINE	B4KBBOT-INLINE	B5KBBOT-INLINE	
3	Blower Collar	1	B1KBBLCL	B2KBBLCL	B3KBBLCL	B4KBBLCL	B5KBBLCL	
4	Door-Back	Varies	B1KBBDR-V2(1)	B1KBBDR-V2(1)	B1KBBDR-V2(1)	B1KBBDR-V2(1)	B1KBBDR-V2(2)	
5	Door-Front	Varies	B1KFDR-V2 (1)	B2KFDR-V2 (1)	B3KFDR-V2 (1)	B4KFDR-V2 (1)	B5KFDR-V2 (2)	
6	Door Liner	Varies	B1KBLINER (2)	B2KBLINER (2)	B3KBLINER (2)	B4KBLINER (2)	B5KBLINER /B5KBLINER	
7	Door Support	2	B1KBDRSP-V2	B2KBDRSP-V2	B3KBDRSP-V2	B4KBDRSP-V2	B1KBDRSP-V2	
8	Drip Rail	1	B1KBDPRL-INLINE	B2KBDPRL-INLINE	B3KBDPRL-INLINE	B4KBDPRL-INLINE	B5KBDPRL-INLINE	
9	End Flashing	2	M1EFLS	M2EFLS	M3EFLS	M4EFLS	M5EFLS	
10	Face Plate	1	B1KBFP-INLINE	B2KBFP-INLINE	B3KBFP-INLINE	B4KBFP-INLINE	B5KBFP-INLINE	
11	Hinge	Varies	HG-OTA100 (4)	HG-OTA100 (4)	HG-OTA100 (4)	HG-OTA100 (6)	HG-OTA100 (6)	
12	Horizontal Support	Varies	M1HSUP(3)	M2HSUP(3)	M3HSUP(3)	M4HSUP(4)	M5HSUP(4)	
13	Horizontal/Vertical Hat Chnl	Varies	B1KB*HT-INLINE (1)	B2KB*HT-INLINE (2)	B3KB*HT-INLINE (2)	B4KB*HT-INLINE (2)	B5KB*HT-INLINE (2)	
14	Inlet/Outlet Transition	Varies	E1KBINOUTPLT-INLINE	E2KBINOUTPLT-INLINE	E3KBINOUTPLT-INLINE	E4KBINOUTPLT-INLINE	E5KBINOUTPLT-INLINE	
15	Latch	4	173SST					
16	Left Front Post	1	B1KBLFP-INLINE	B2KBLFP-INLINE	B3KBLFP-INLINE	B4KBLFP-INLINE	B5KBLFP-INLINE	
17	Lid	1	B1KBLID-INLINE	B2KBLID-INLINE	B3KBLID-INLINE	B4KBLID-INLINE	B5KBLID-INLINE	
18	Main Rail	2	M12MR	B2MNR	B3MNR	B4MNR	B5MNR	
19	Motor Lid	1	B1KBMTCV-INLINE	B2KBMTCV-INLINE	B3KBMTCV-INLINE	B4KBMTCV-INLINE	B5KBMTCV-INLINE	
20	Motor Side Cover	2	B1KBPMC-INLINE	B2KBPMC-INLINE	B3KBPMC-INLINE	B4KBPMC-INLINE	B5KBPMC-INLINE	
21	Motor Plate	1	B1KBMBP-INLINE	B2KBMBP-INLINE	B3KBMBP-INLINE	B4KBMBP-INLINE	B5KBMBP-INLINE	
22	Motor Horizontal Support	2	B1KBHSUP-INLINE	B2KBHSUP-INLINE	B3KBHSUP-INLINE	B4KBHSUP-INLINE	B5KBHSUP-INLINE	
23	Motor Cr Horizontal Support	2	B1KBHCTRSUP-INLINE	B2KBHCTRSUP-INLINE	B3KBHCTRSUP-INLINE	B4KBHCTRSUP-INLINE	B5KBHCTRSUP-INLINE	
24	Motor/Blower Platform	1	B1KBMBP	B2KBMBP	B3KBMBP	B4KBMBP	B5KBMBP	
25	Pulley Enclosure	1	B1KBPE-INLINE	B2KBPE-INLINE	B3KBPE-INLINE	B4KBPE-INLINE	B5KBPE-INLINE	
26	Right Front Post	1	B1KBRFP-INLINE	B2KBRFP-INLINE	B3KBRFP-INLINE	B4KBRFP-INLINE	B5KBRFP-INLINE	
27	Vibration Isolator	Varies	T44-5A (6)	T44-5A (6)	T44-5A (6)	T44-5A (8)	T44-5A (10)	

NOTES:

- 1) KB25-INLINE models have a 3 piece bottom. B5KBSID-INLINE and B5KBSIDB-INLINE attaches to the sides of the KB25-INLINE bottom (B5KBBOT-INLINE)
- 2) KB25-INLINE models use Qty-2 doors on each side. B5KBFDR-V2 and B5KBBDR-V2.
- 3) KB25-INLINE models have a front and back drip rail design . B5KBDPRL-INLINE and B5KBDPRLB-INLINE.
- 2) All model use 4 of MLIFTL lifting lugs.
- 3) Disconnect switch is dependent on motor load.
- 4) Use R-10480-S-1/4" BY 1" (AX # A0022006) on B#KBEDS-INLINE, B#KBRFP-INLINE, B#KBDRSP-V2 and B#KBBOT-INLINE.
- 5) KB 10,14 and 18 use Qty-2 Hinges (HGOTA-100) per door. KB 20 , 25 use Qty-3 Hinges (HG-OTA-100) per door.