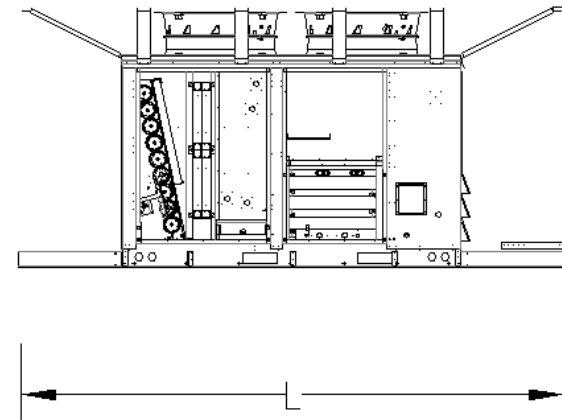
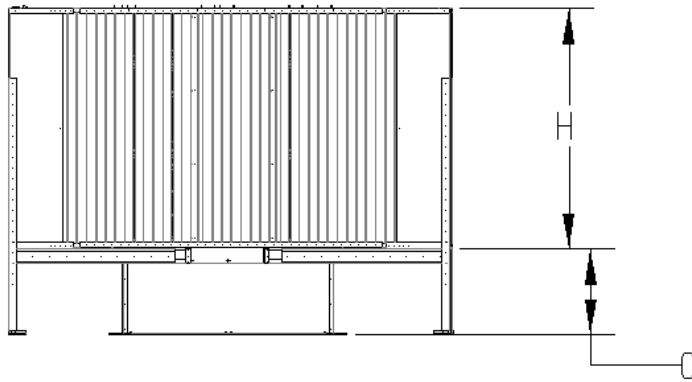
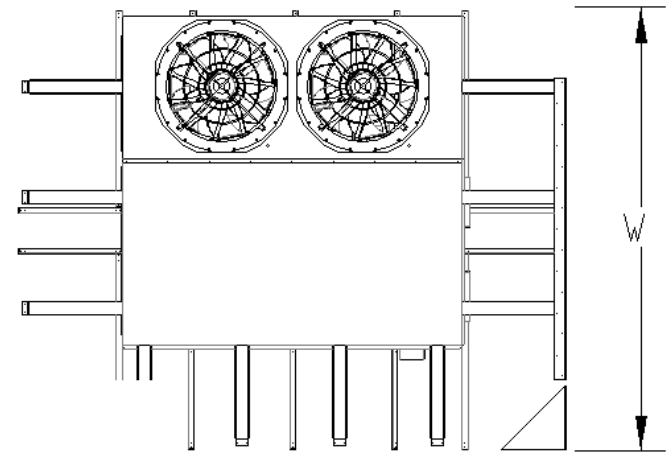
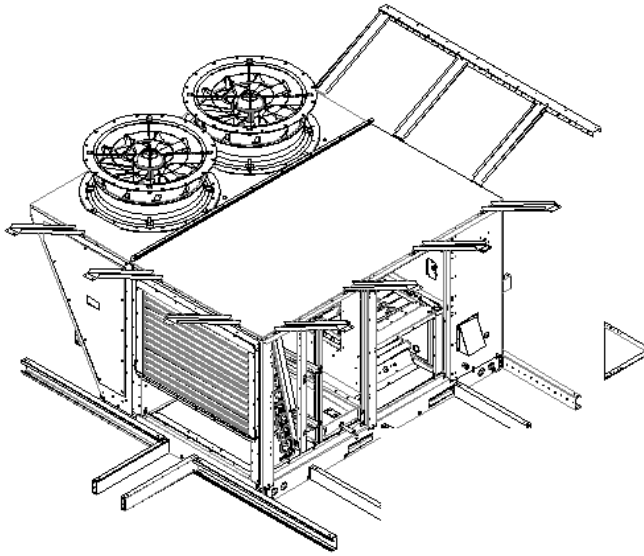


ROOFTOP UNIT EQUIPMENT SCREEN ASSEMBLY

RTUESA
REV.#0 5/30/19



RTU EQUIPMENT SCREEN ASSEMBLY DIMENSIONS*

SIZE	Tonnage	Weight - 2 Long sides, 1 Short Side (LBS)	Weight - 2 Short sides, 1 Long Side (LBS)	DIM "H"	DIM "L"	DIM "W"	DIM "C"
2	8,10	413.00	379.50	56.75	128.25	104.25	(Curb Height- 3.5)
3	12,15,18	592.00	518.00	64.75	146.00	114.50	(Curb Height- 4.0)
4	22,25,30	666.50	638.50	80.00	185.00	136.00	(Curb Height- 4.5)

NOTES:

1. Four sided configuration shown for dimensional purposes. Final installed assembly is three sided.
2. Equipment screen assembly fully mounted on roof top unit.
3. White epoxy coating standard.
4. Full unit dimensions available by request.

*ALL DIMENSIONS IN INCHES UNLESS OTHERWISE SPECIFIED