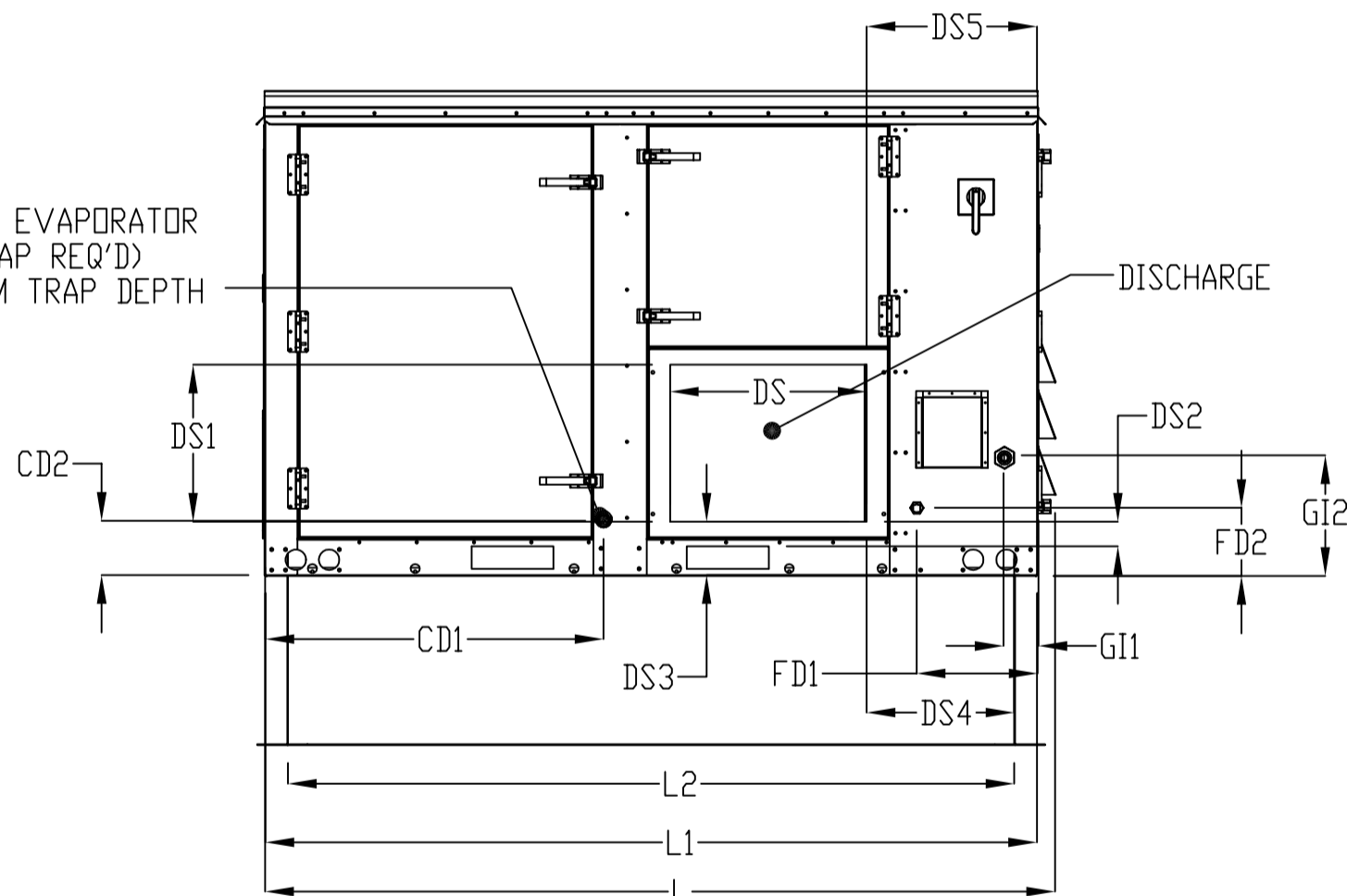


1" NPT SS EVAPORATOR DRAIN (TRAP REQ'D)
4" MINIMUM TRAP DEPTH



NOTES:

1. ROOF OPENING MUST BE 2" SMALLER THAN CURB DIMENSIONS IN BOTH DIRECTIONS
2. DO NOT OBSTRUCT OUTSIDE AIR INLET, OUTSIDE AIR COIL OR OUTSIDE AIR FAN
3. FLOOR MOUNT ISOLATORS LOCATED 5/8" FROM DIMENSION L1 AND 1 3/8" FROM DIMENSION W1
ACCOUNT FOR AN ADDITIONAL 5" FOR ISOLATOR HEIGHT
4. QUANTITIES SUBJECT TO CHANGE DEPENDING ON FILTER TYPES
5. ONLY APPLICABLE FOR INDIRECT HEAT OR ELECTRIC HEAT CONFIGURATIONS
6. SUBTRACT 100 LBS. FOR COOLING ONLY CONFIGURATIONS
7. DIMENSIONS HD1 AND HD2 APPLY ONLY FOR HIGH EFFICIENCY FURNACES, FD1 AND FD2 APPLY ONLY FOR STANDARD EFFICIENCY FURNACES

RTU INFORMATION*

UNIT SIZE	NOMINAL TONNAGE	INTAKE FILTERS	SUPPLY FILTERS	FURNACE CAPACITY (MBH)	ELECTRIC CAPACITY (KW)	APPROXIMATE WEIGHT (LBS)	CENTER OF MASS		CORNER WEIGHTS (LBS)				ENTERING POWER		CONDENSATE DRAIN		FURNACE DRAIN				GAS INLET	
							CM1	CM2	C1	C2	C3	C4	P1	P2	CD1	CD2	FD1	FD2	HD1	HD2	GI1	GI2
1	5, 6, 7.5	16 X 20 X 2 (2)	16 X 16 (8)	50 - 200	10-45	1100	26 1/4	35 1/4	205	244	354	297	5 1/4	7 1/4	33	5 1/4	11 3/4	6 1/2	21	5 3/4	3 1/4	11 3/4

RTU DIMENSIONS*

UNIT SIZE	UNIT LENGTH (L)	OUTSIDE BASE LENGTH (L1)	INSIDE BASE LENGTH (L2)	UNIT HEIGHT (H)	MOUNTED HEIGHT (H1)	UNIT WIDTH (W)	BASE WIDTH (W1)	INSIDE BASE WIDTH (W2)	RECESSED CURB HEIGHT	DISCHARGE DIMENSIONS						CURB SIZE
										D	D1	D2	D3	D4	D5	
1	77 1/4	75 1/2	73	47 1/2	42 1/4	63 1/4	44 3/4	42 1/4	3 1/2	20 3/4	21 1/4	13 1/4	14 1/2	6 1/2	7 3/4	71 x 41

*ALL DIMENSIONS IN INCHES UNLESS OTHERWISE SPECIFIED