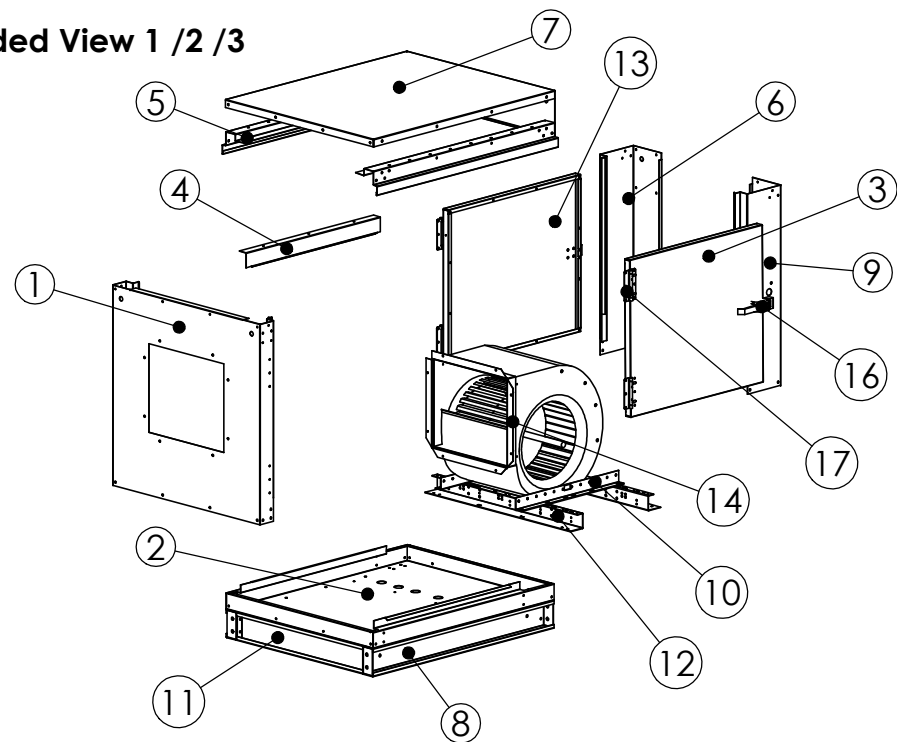
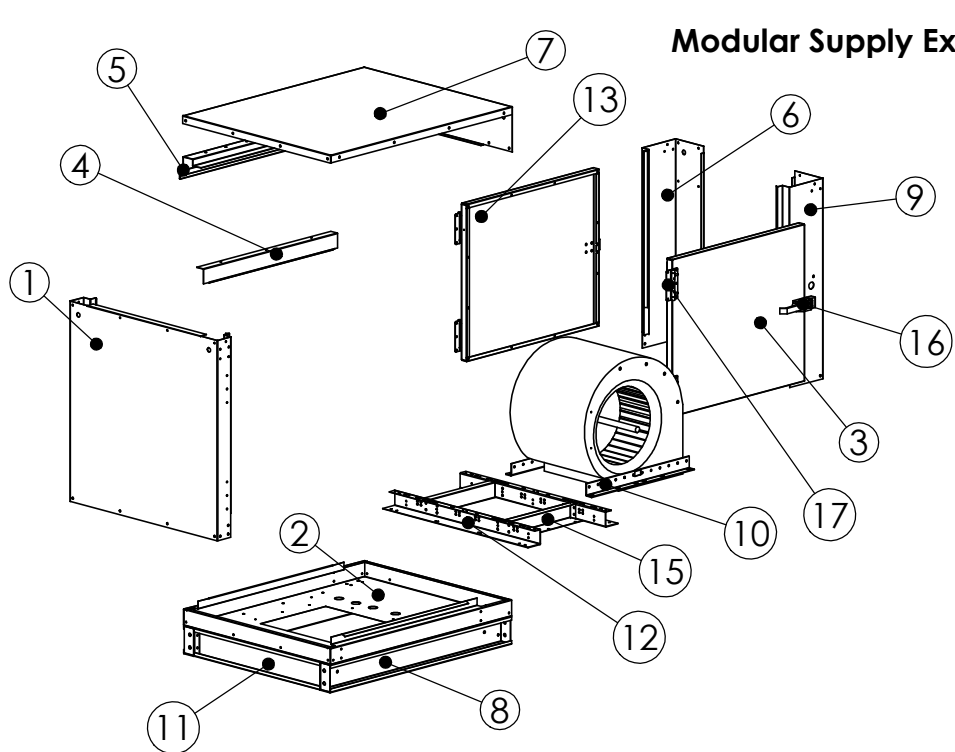


AHU
EXPLODED
VIEWS FOR
SUPPLY
1/25/2017

Modular Supply Exploded View 1 / 2 / 3

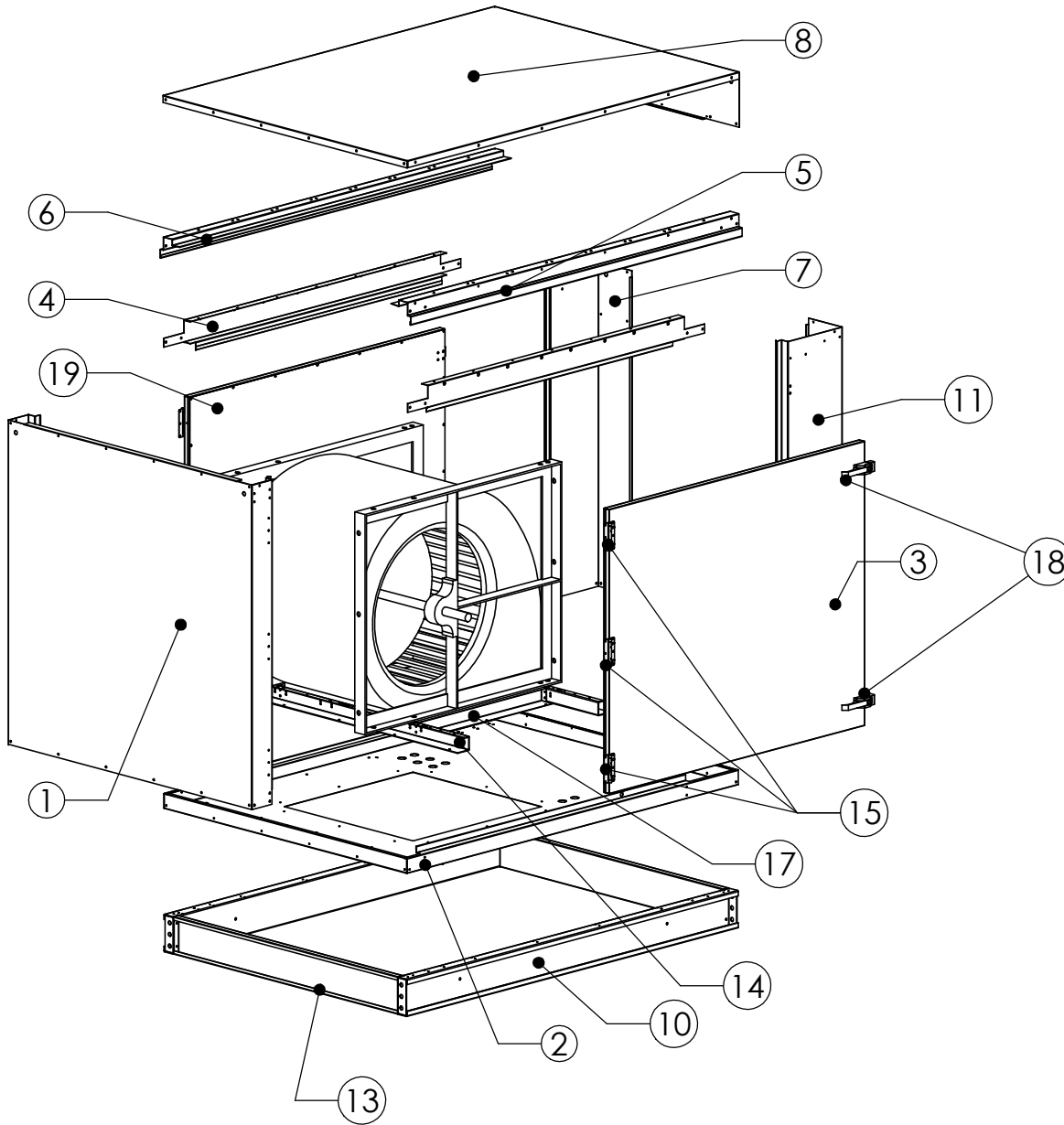


#	Part Name	Blower Size and Orientation										
		G10 Down	G10 Side	Qty	G12 Down	G12 Side	G15 Down	G15 Side	Qty	G18 Down	G18 Side	Qty
1	Back	B1DDBKH	B1SDBKH	1	B2DDBKH	B2SDBKH	B2DDBKH	B2SDBKH	1	B3DDBKH	B3SDBKH	1
2	Bottom	B1DDBTH	B1SDBTH	1	B2DDBTH	B2SDBTH	B2DDBTH	B2SDBTH	1	B3DDBTH	B3SDBTH	1
3	Right Door Hinged	B1DOORRH		1	B2DOORRH				1	B3DOORRH		1
4	Door Support	B1TDSH		2	B2TDSH				2	B3TDSH		2
5	Drip Rail	B1DPRL		2	B2DPRL				2	B3DPRL		2
6	Left Front Post	B1LTFFPH		1	B2LTFFPH				1	B3LTFFPH		1
7	Lid	B1DDLIDS		1	B2LIDD				1	B3LIDD		1
8	Main Rail	ME12MR		2	B2MNRL				2	B3MNRL		2
9	Right Front Post	B1RTFFPH		1	B2RTFFPH				1	B3RTFFPH		1
10	Blower Brace	B1BLBC		2	B2BLBC				2	B3BLBC		2
11	End Flashing	M1EFLS		2	M2EFLS				2	M3EFLS		2
12	Horizontal Support	M1HSUP		2	M2HSUP				2	M3HSUP		3
13	Left Door Hinged	B1DOORLH		1	B2DOORLH				1	B3DOORLH		1
14	Blower Collar	N/A	B1G10COL	1	N/A	B2G12COL	N/A	B2G15COL	1	N/A	B3G18COL	1
15	Blower Discharge Cap	B1G10DCP	N/A	2	B2G12DCP	N/A	B2G15DCP	N/A	2	B3G18DCP	N/A	2
Motor Mounting Hardware	Motor Platform	G10BRACKET		1	G12BRACKET		G15BRACKET		1	G18BRACKET		1
	Scroll Plate Angle	SCROLL PLATE		2	SCROLL PLATE				2	SCROLL PLATE		2
	Direct Drive Bracket	B1DDMM		2	N/A				N/A	N/A		N/A
16	Door Latches	A7-10-351-20		2	A7-10-351-20				4	A7-10-351-20		4
17	Door Hinges	HG-OTA100		4	HG-OTA100				4	HG-OTA100		4

NOTES:

- 1) All model use 4 of MLIFTL lifting lugs.
- 2) Right Front Post has multiple configurations for various disconnect switches.
(RD) Rotary Disconnect
(NS) No Switch
- 3) Disconnect switch is dependent on motor load.
- 4) L1VIB vibration isolator used on G series blowers.

Modular Supply Exploded View 4 / 5 Down Discharge

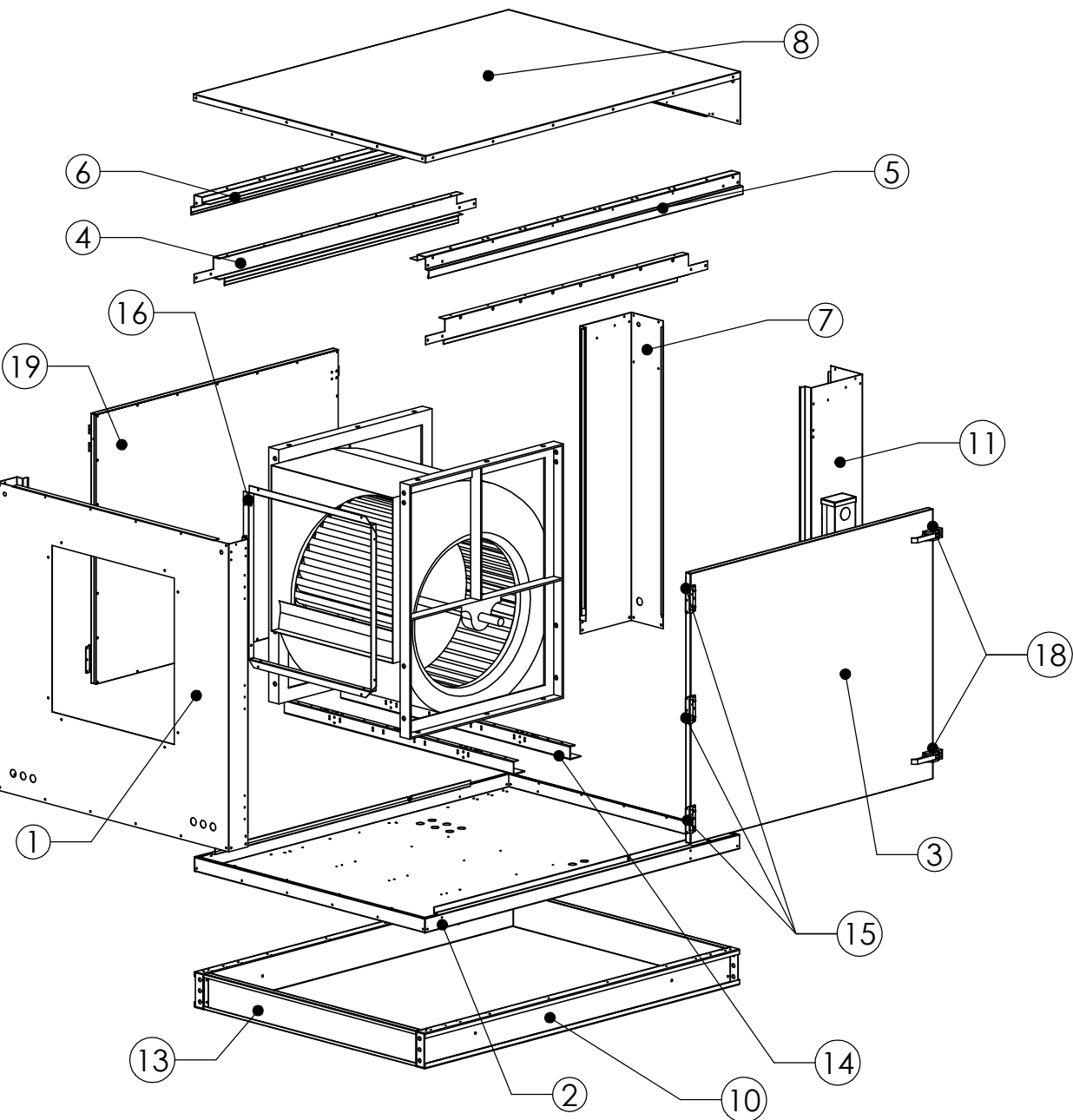


AHU 4 & 5 Down Discharge					
#	Part Name	920 Down	Qty	925 Down	Qty
1	Back	B4DDBKH	1	B5DDBKH	1
2	Bottom	B4DDBTH	1	B5DDBT	1
3	Right Door	B4DOORRH	1	B5DOORRH	2
Not Show n	Door Liner Right	B4DORLH	1	B5DORRLH	2
4	Door Support	B4TDSH	2	B5TDSH	2
5	Drip Rail Front	B4DPRLH	1	B5DPRLFH	1
6	Drip Rail Back	B4DPRLH	1	B5DPRLBH	1
7	Left Front Post	B4LTFPH	1	B5LTFPH	1
8	Lid	B4LIDD	1	B5LIDD	1
Not Show n	Lid Support	M4LSUP	1	M5LSUP	1
10	Main Rail	B4MNRL	2	B5MNRL	2
11	Right Front Post	B4RTFPH	1	B5RTFPH	1
13	End Flashing	M4EFLS	2	M5EFLS	2
14	Horizontal Support	M4HSUP	2	M5HSUP	2
15	Door Hinges	HG-OTA100	6	HG-OTA100	12
17	Blower Discharge Cap	B4920DCP	2	B5925DCP	2
18	Door Latch	A7-10-351-20	4	A7-10-351-20	4
19	Left Door	B4DOORLH	1	B5DOORLH	2
Not Show n	Door Liner Left	B4DORLH	1	B5DORLLH	2
Motor Mounting Hardware	Motor Platform	8721	1	8723	1

NOTES:

- 1) 925 models have a 3 piece bottom. Parts B5BSIDFH & B5BSIDBH attach to the sides of the 925 bottom.
- 2) All model use 4 of MLIFTL lifting lugs.
- 3) Right Front Post has multiple configurations for various disconnect switches.
(RD) for rotary disconnect
(NS) for no switch
- 4) Disconnect switch is dependent on motor load.
- 5) L1VIB vibration isolator used on G Series blowers.
- 6) 800113 isolators used on 900 series blowers.

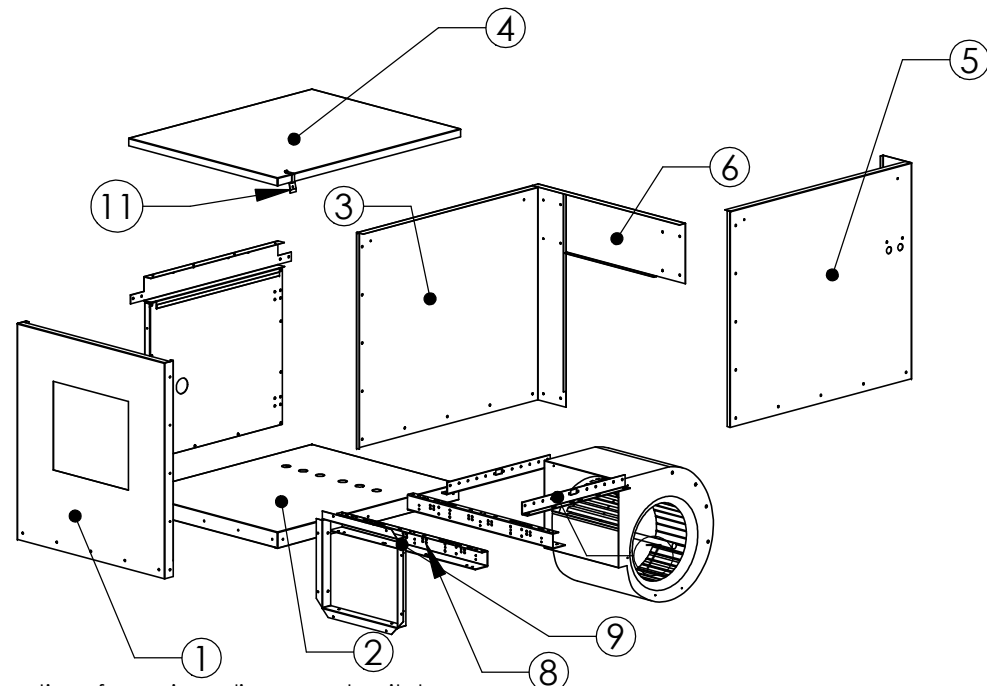
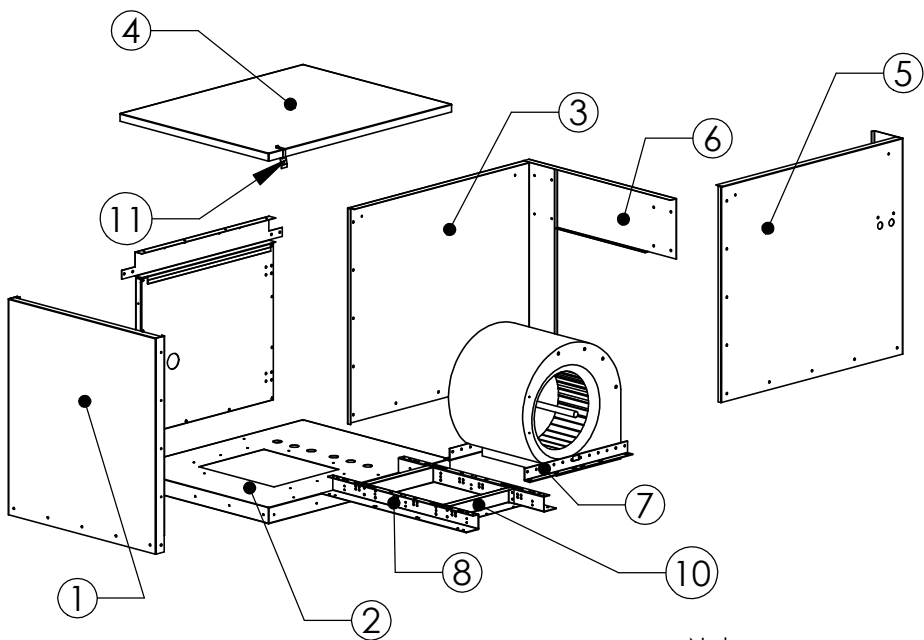
Modular Supply Exploded View 4 / 5 Side Discharge



- NOTES:
- 1) 925 models have a 3 piece bottom. Parts B5BSIDFH & B5BSIDBH attach to the sides of the 925 bottom.
 - 2) All model use 4 of MLIFTL lifting lugs.
 - 3) Right Front Post has multiple configurations for various disconnect switches.
(RD) for rotary disconnect
(NS) for no switch
 - 4) Disconnect switch is dependent on motor load.
 - 5) L1VIB vibration isolator used on G Series blowers.
 - 6) 800113 isolators used on 900 series blowers.

AHU 4 & 5 Side Discharge					
#	Part Name	920 Side	Qty	925 Side	Qty
1	Back	B4SDBKH	1	B5SDBKH	1
2	Bottom	B4SDBTH	1	B5SDBT	1
3	Right Door	B4DOORRH	1	B5DOORRH	2
Not Show n	Door Liner Right	B4DORLH	1	B5DORRLH	2
4	Door Support	B4TDSH	2	B5TDSH	2
5	Drip Rail Front	B4DPRLH	1	B5DPRLFH	1
6	Drip Rail Back	B4DPRLH	1	B5DPRLBH	1
7	Left Front Post	B4LTFPH	1	B5LTFPH	1
8	Lid	B4LIDD	1	B5LIDD	1
Not Show n	Lid Support	M4LSUP	1	M5LSUP	1
10	Main Rail	B4MNRL	2	B5MNRL	2
11	Right Front Post	B4RTFPH	1	B5RTFPH	1
13	End Flashing	M4EFLS	2	M5EFLS	2
14	Horizontal Support	M4HSUP	3	M5HSUP	3
15	Door Hinges	HG-OTA100	6	HG-OTA100	12
16	Blow er Collar	B4920COL	1	B5925COL	2
18	Door Handle	A7-10-351-20	4	A7-10-351-20	4
19	Left Door	B4DOORLH	1	B5DOORLH	2
Not Show n	Door Liner Left	B4DORLH	1	B5DORLLH	2
Motor Mounting Hardware	Motor Platform	8721	1	8723	1

Standard Supply Exploded View



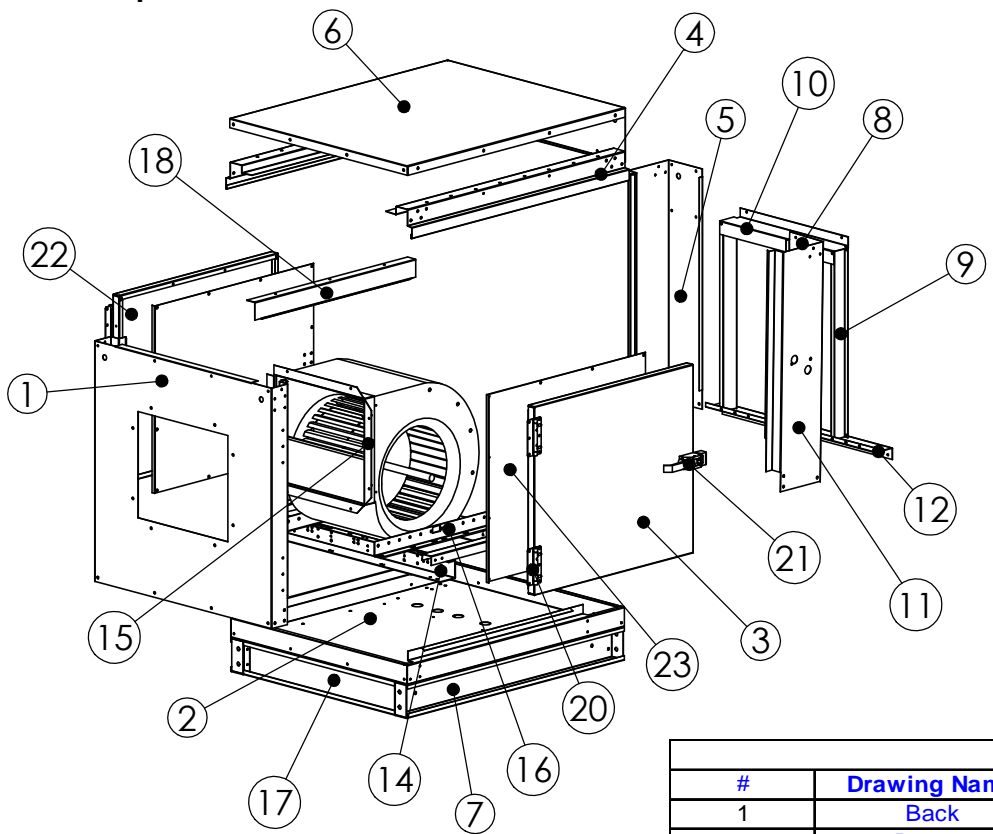
Notes:

- 2) Right side has multiple configurations for various disconnect switches.
(RD) for rotary disconnect
(NS) for no switch
- 3) Disconnect switch is dependent on motor load.
- 4) L1VIB vibration isolator used on G Series blowers.

Blower Size and Orientation

#	Part Name	Quantity	G10 Down	G10 Side	G12 Down	G12 Side	G15 Down	G15 Side
1	Back	1	B1DDBA	B10SBA	B2DDBA	B22SBA	B2DDBA	B25SBA
2	Bottom	1	B10DBO	B1SDBO	B22DBO	B2SDBO	B25DBO	B2SDBO
3	Left Side	1	B1LTSD		B2LTSD			
4	Lid	1	B1LID1		B2LID1			
5	Right Side	1	B1RTSD		B2RTSD			
6	Top Brace	1	B1TPBR		B2TPBR			
7	Blower Brace	2	B1BLBC		B2BLBC			
8	Horizontal Support	2	M1HSUP		M2HSUP			
9	Blower Collar	1	N/A	B1G10COL	N/A	B2G12COL	N/A	B3G18COL
10	Blower Discharge Cap	2	B1G10DCP	N/A	B2G12DCP	N/A	B2G15DCP	N/A
11	Ludwig Clips	4	A-41					
Motor Mounting Hardware	Motor Brackets	1	G10BRACKET		G12BRACKET		G15BRACKET	
	Scroll Plate Angle	2	SCROLLPLATE					
	Direct Drive Bracket	2	B1DDMM		N/A			

INLINE Exploded View



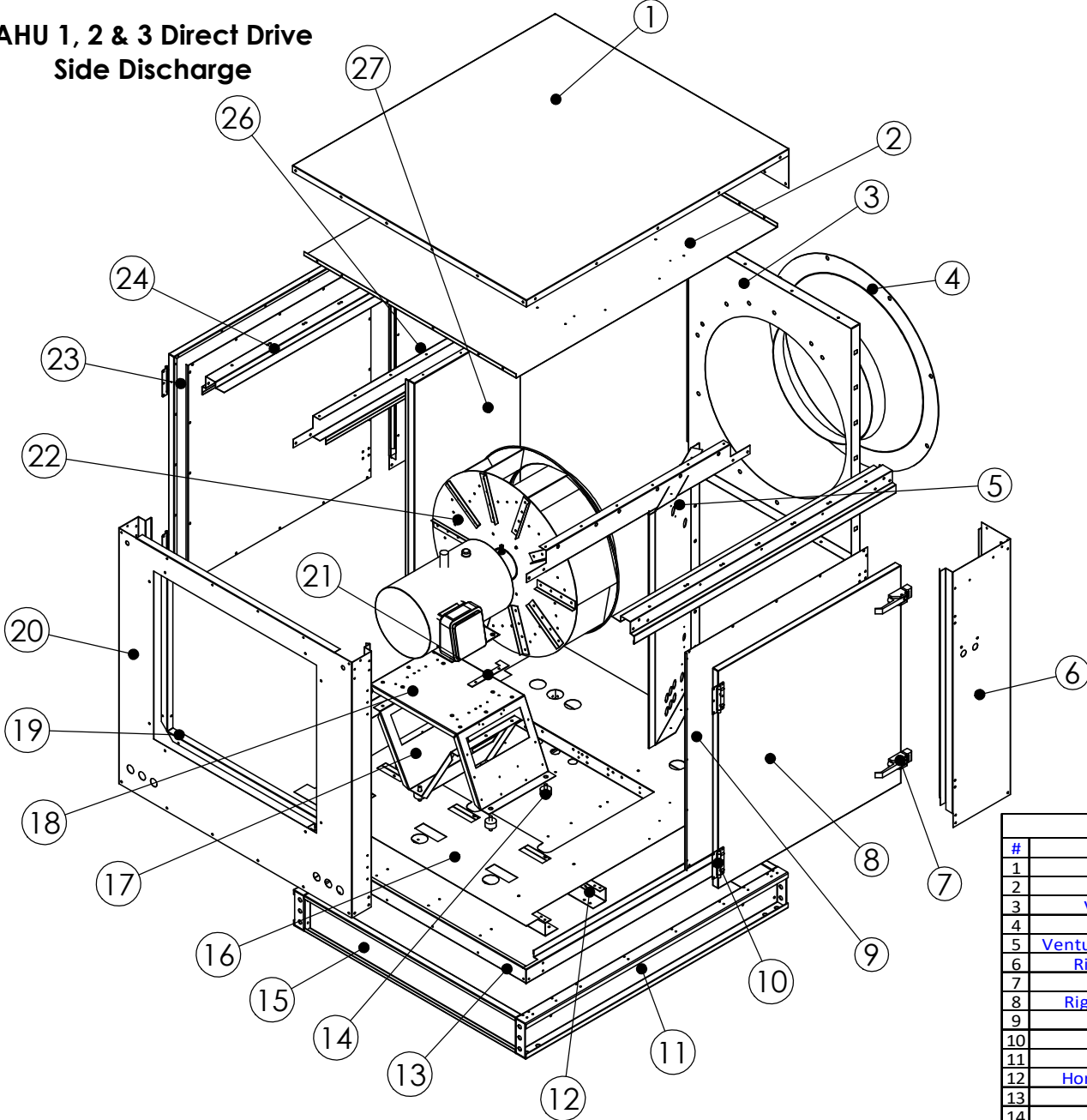
Revision History				
#	Description	Revised by	ECN#	Date
1	Add Filter Information	AJK	2163	10/8/10
2	Added Brackets	AJK	2261	7/11/11
3	Added Door Handles	JJH	2594	2/27/13
4	Update Inline LP Instructions	JJH		3/30/15
5	Updates for Hinged Doors	PEM	2795	11/8/16

Filter Information	
Blower	Filter Size
10"-L	(1) 16IN x 20IN
10"	(1) 16IN x 20IN
12"	(1) 20IN x 25IN
15"	(1) 20IN x 25IN
18"	(2) 20IN x 25IN

- Notes:
- 1) Lifting Lugs = M1LIFTL (4 Required)
 - 2) Right Front Post has multiple configurations for various disconnect switches.
(RD) for rotary disconnect
(NS) for no switch
 - 3) Disconnect switch is dependent on motor load.
 - 4) L1VIB vibration isolator used on G Series blowers.
 - 5) All Units are insulated.

AHU 1-3 Inline									
#	Drawing Name	G10 Side LP	G10 Side	Qty	G12 Side	G15 Side	Qty	G18 Side	Qty
1	Back	B10SLP	B1SDBKH	1	B22SDBKH	B2SDBKH	1	B3SDBKH	1
2	Bottom	B1SDBT	B1SDBTH	1	B2SDBTH	B2SDBTH	1	B3SDBTH	1
3	Right Door	B1DOLP	B1DOORRH	1	B2DOORRH		1	B3DOORRH	1
4	Drip Rail	B1DPRL		2	B2DPRL		2	B3DPRL	2
5	Left Front Post	B1LPLP	B1LTFPH	1	B2LTFPH		1	B3LTFPH	1
6	Lid	B1LDLP	B1DDLIDS	1	B2LIDD		1	B3LIDD	1
7	Main Rail	N/A	ME12MR	2	B2MNRL		2	B3MNRL	2
8	Filter Stop	N/A		N/A	B2NFSP		1	B3NFSP	1
9	Filter Side	B1NSID		2	B2NSID		2	N/A	N/A
10	Filter Top	B1NLTP	B1NTOP	1	B2NTOP		1	B3NTOP	1
11	Right Front Post	B1RPLP	B1RTFPH	1	B2RTFPH		1	B3RTFP	1
12	Filter Bottom	M12IBOT		1	M12IBOT		1	B3NBOT	1
13	Door Hook	B1DRHK	N/A	2	N/A		N/A	N/A	N/A
14	Horizontal Support	M1HSUP		2	M2HSUP		2	M3HSUP	3
15	Blower Collar	B1G10COL		1	B2G12COL	B2G15COL	1	B3G18COL	1
16	Blower Brace	B1BLBC		2	B2BLBC		2	B3BLBC	2
17	End Flashing	N/A	M1EFLS	2	M2EFLS		2	M3EFLS	2
18	Door Support	B1DRSP	B1TDSH	2	B2TDSH		2	B3TDSH	2
19	Door Handle	P-50-1010	N/A	2	N/A		N/A	N/A	N/A
Motor Mounting Hardware	Motor Platform	G10BRACKET		1	G12BRACKET	G15BRACKET	1	G18BRACKET	1
	Scroll Plate Angle	SCROLLPLATE		2	SCROLLPLATE		2	SCROLLPLATE	2
	Direct Drive Bracket	B1DDMM		2	N/A		N/A	N/A	N/A
20	Door Hinges	N/A	HG-OTA100	4	HG-OTA100		4	HG-OTA100	4
21	Door Latches	N/A	A7-10-351-20	2	A7-10-351-20		4	A7-10-351-20	4
22	Left Door	B1DOLP	B1DOORLH	1	B2DOORLH	B2DOORLH	1	B3DOORLH	1
23	Door Liner	N/A	B1DORLH	2	B2DORLH	B2DORLH	2	B3DORLH	2

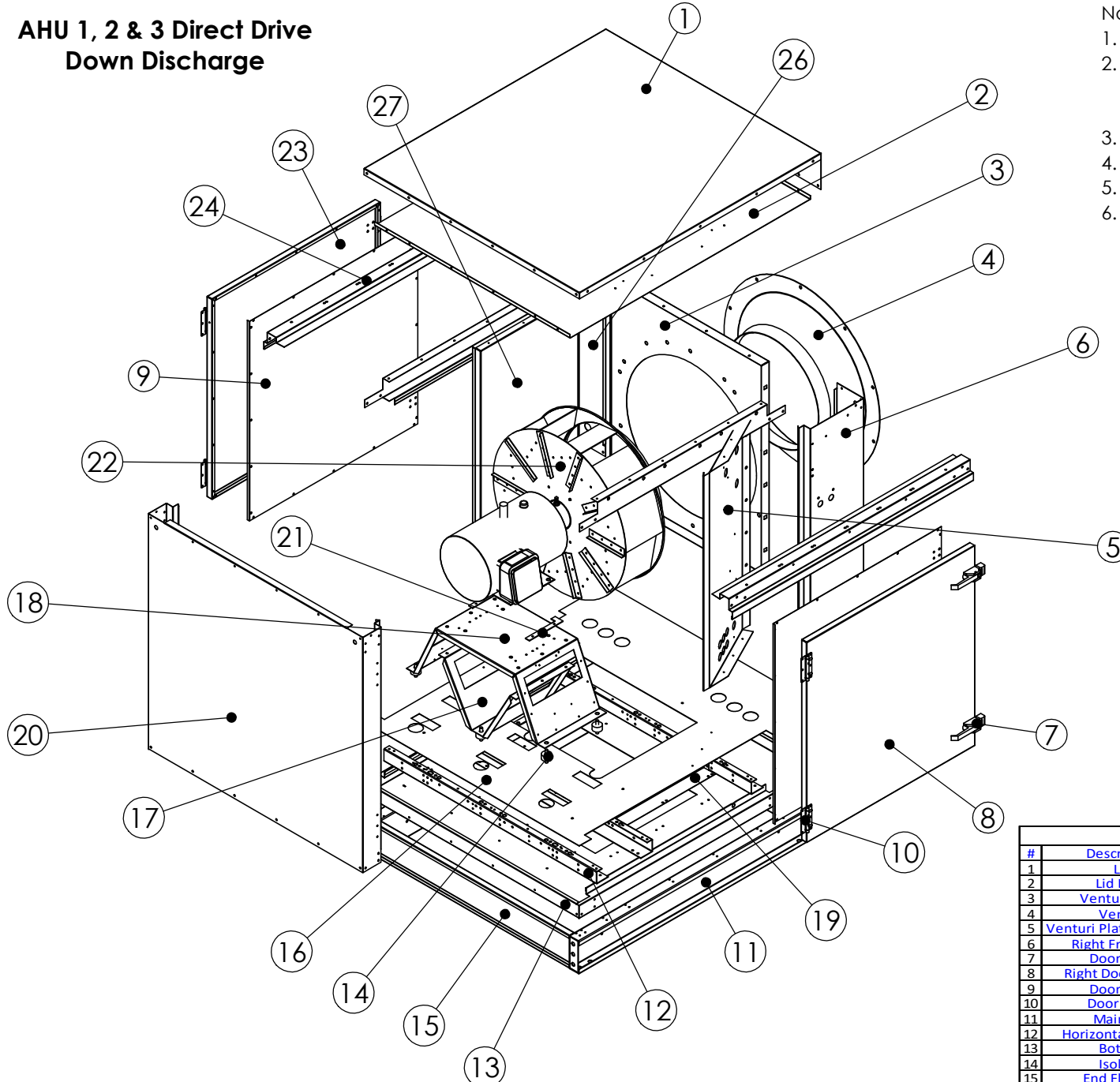
AHU 1, 2 & 3 Direct Drive Side Discharge



- Notes:
1. All models use 4 MLIFTL lifting lugs
 2. Right Front Post has multiple configurations (RD) for Rotary Disconnect (NS) for No Switch
 3. Disconnect switch is dependent on motor load
 4. Size 1 Up Discharge will use B1DDLIDSUP & B1ULLDUP
 5. Size 2 Up Discharge will use B2LIDDUP & B2ULLDUP
 6. Size 3 Up Discharge will use B3LIDDUP & B3ULLDUP

AHU 1-3 Side Discharge-Direct Drive							
#	Description	Size 1	Qty	Size 2	Qty	Size 3	Qty
1	Lid	B1DDLIDS	1	B2LIDD	1	B3LIDD	1
2	Lid Liner	B1ULLD	1	B2ULLD	1	B3ULLD	1
3	Venturi Plate	B1DDBAVP	1	B2DDBAVP	1	B3DDBAVP	1
4	Venturi	F5020015MUSBI	1	F5020020MUSBI	1	F5020024MUSBI	1
5	Venturi Plate Extension	B1VPE	1	B2VPE	1	B3VPE	1
6	Right Front Post	B1RTFPH	1	B2RTFPH	1	B3RTFPH	1
7	Door Latch	A7-10-351-20	2	A7-10-351-20	4	A7-10-351-20	4
8	Right Door Hinged	B1DOORRH	1	B2DOORRH	1	B3DOORRH	1
9	Door Liner	B1DORLH	2	B2DORLH	2	B3DORLH	2
10	Door Hinge	HG-OTA100	4	HG-OTA100	4	HG-OTA100	4
11	Main Rail	ME12MR	2	B2MNRL	2	B3MNRL	2
12	Horizontal Support	M1HSUP	3	M2HSUP	3	M3HSUP	3
13	Bottom	B1SDBTH	1	B2SDBTH	1	B3SDBTH	1
14	Isolator	800113-D80	6	800113-D80	6	800113-D80	6
15	End Flashing	M1EFLS	2	M2EFLS	2	M3EFLS	2
16	Bottom Liner	B1DDDDL	1	B2DDDDL	1	B3DDDDL	1
17	Motor Mount Support	B1DDMMS	1	B2DDMMS	1	B3DDMMS	1
18	Motor Mount	B1DDMM	1	B2DDMM	1	B3DDMM	1
19	Discharge Collar	B1DDC	1	B2DDC	1	B3DDC	1
20	Back	B1SDBKHDD	1	B2SDBKHDD	1	B3SDBKHDD	1
21	Motor Positioning Plate	BMPP	2	BMPP	2	BMPP	2
22	Fan	Varies	1	Varies	1	Varies	1
23	Left Door Hinged	B1DOORLH	1	B2DOORLH	1	B3DOORLH	1
24	Drip Rail	B1DPRL	2	B2DPRL	2	B3DPRL	2
25	Top Door Support Hinged	B1TDSH	2	B2TDSH	2	B3TDSH	2
26	Left Front Post	B1LTFPH	1	B2LTFPH	1	B3LTFPH	1
27	Wheel Guard	B1DDWG	1	B2DDWG	1	B3DDWG	1

AHU 1, 2 & 3 Direct Drive Down Discharge

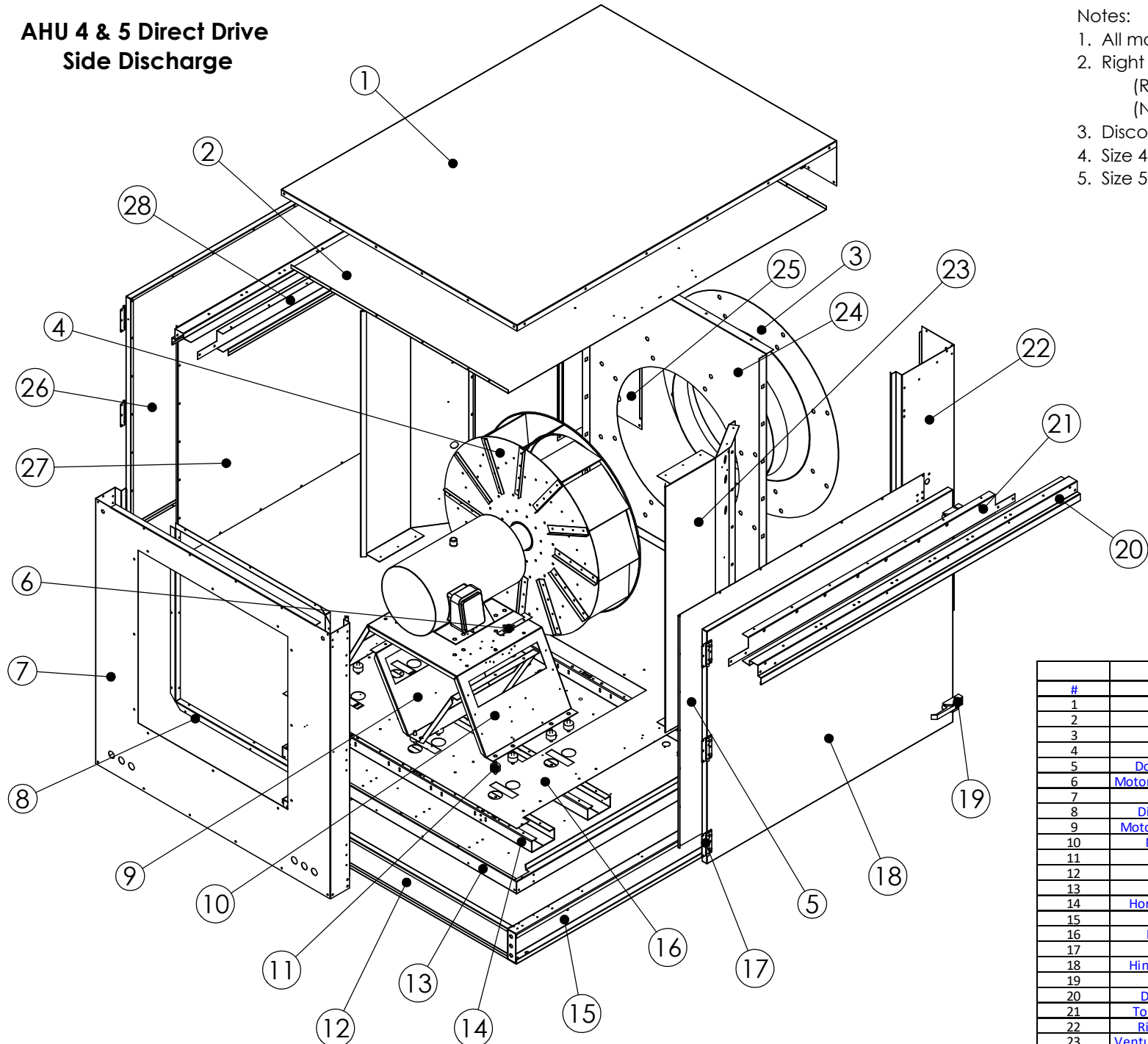


Notes:

1. All models use 4 MLIFTL lifting lugs
2. Right Front Post has multiple configurations (RD) for Rotary Disconnect (NS) for No Switch
3. Disconnect switch is dependent on motor load
4. Size 1 Up Discharge will use B1DDLIDSUP & B1ULLDUP
5. Size 2 Up Discharge will use B2LIDDUP & B2ULLDUP
6. Size 3 Up Discharge will use B3LIDDUP & B3ULLDUP

AHU 1-3 Down Discharge-Direct Drive							
#	Description	Size 1	Qty	Size 2	Qty	Size 3	Qty
1	Lid	B1DDLIDS	1	B2LIDD	1	B3LIDD	1
2	Lid Liner	B1ULLD	1	B2ULLD	1	B3ULLD	1
3	Venturi Plate	B1DDBAVP	1	B2DDBAVP	1	B3DDBAVP	1
4	Venturi	F5020015MUSBI	1	F5020020MUSBI	1	F5020024MUSBI	1
5	Venturi Plate Extension	B1VPE	1	B2VPE	1	B3VPE	1
6	Right Front Post	B1RTEPH	1	B2RTEPH	1	B3RTEPH	1
7	Door Latch	A7-10-351-20	2	A7-10-351-20	4	A7-10-351-20	4
8	Right Door Hinged	B1DOORRH	1	B2DOORRH	1	B3DOORRH	1
9	Door Liner	B1DORLH	2	B2DORLH	2	B3DORLH	2
10	Door Hinge	HG-OTA100	4	HG-OTA100	4	HG-OTA100	4
11	Main Rail	ME12MR	2	B2MNRL	2	B3MNRL	2
12	Horizontal Support	M1HSUP	3	M2HSUP	3	M3HSUP	3
13	Bottom	B1DDBTH	1	B2DDBTH	1	B3DDBTH	1
14	Isolator	800113-D80	6	800113-D80	6	800113-D80	6
15	End Flashing	M1EFLS	2	M2EFLS	2	M3EFLS	2
16	Bottom Liner	B1DDDDL	1	B2DDDDL	1	B3DDDDL	1
17	Motor Mount Support	B1DDMMS	1	B2DDMMS	1	B3DDMMS	1
18	Motor Mount	B1DDMM	1	B2DDMM	1	B3DDMM	1
19	Down Discharge Cap	B1G10DCPS	2	B2G15DCPS	2	B3G18DCPS	2
20	Back	B1DDBKH	1	B2DDBKH	1	B3DDBKH	1
21	Motor Positioning Plate	BMPP	2	BMPP	2	BMPP	2
22	Fan	Varies	1	Varies	1	Varies	1
23	Left Door Hinged	B1DOORLH	1	B2DOORLH	1	B3DOORLH	1
24	Drip Rail	B1DPRL	2	B2DPRL	2	B3DPRL	2
25	Top Door Support	B1TDSH	2	B2TDSH	2	B3TDSH	2
26	Left Front Post	B1LTFPH	1	B2LTFPH	1	B3LTFPH	1
27	Wheel Guard	B1DDWG	1	B2DDWG	1	B3DDWG	1

AHU 4 & 5 Direct Drive Side Discharge



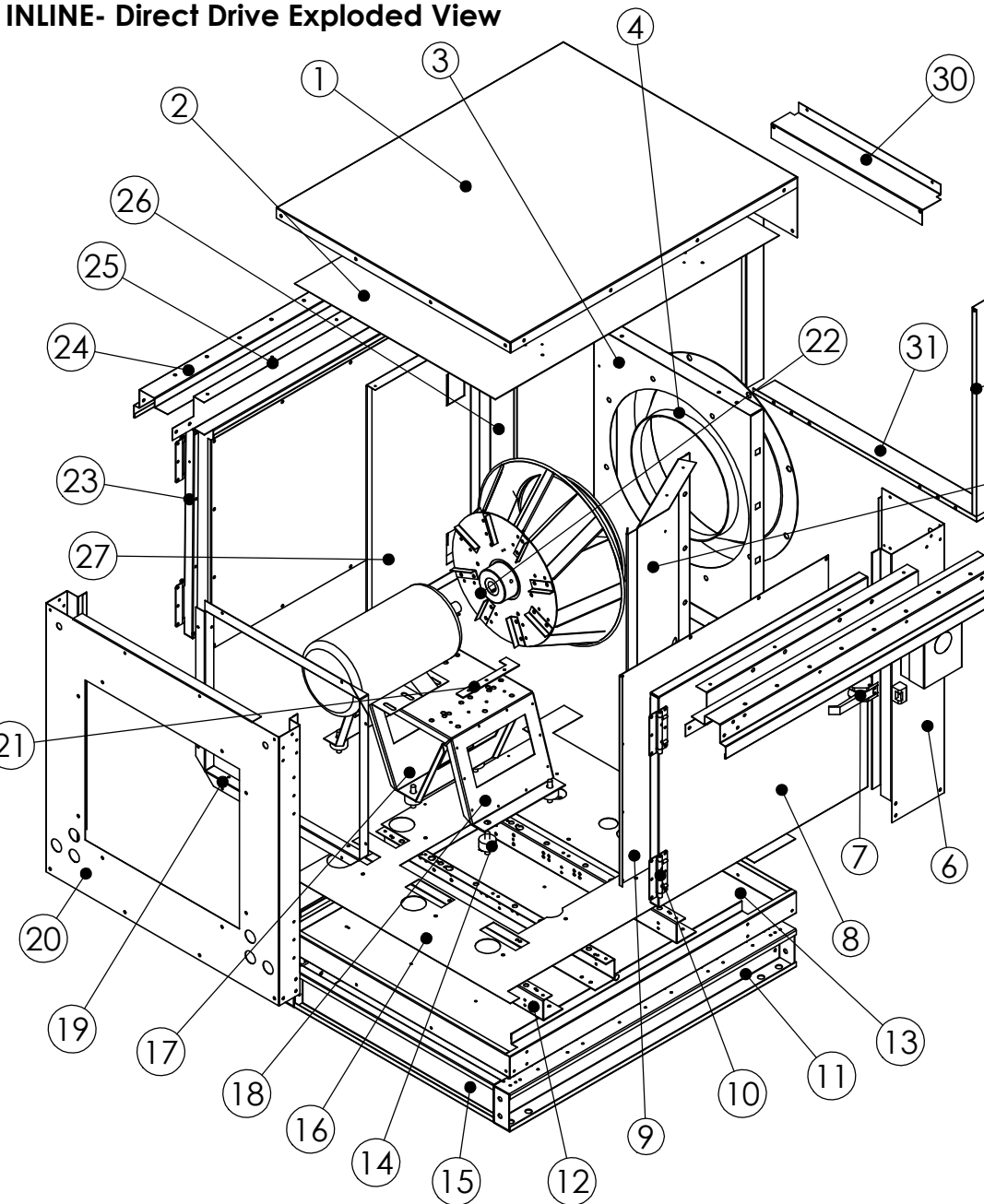
Notes:

1. All models use 4 MLIFTL lifting lugs
2. Right Front Post has multiple configurations (RD) for Rotary Disconnect (NS) for No Switch
3. Disconnect switch is dependent on motor load
4. Size 4 Up Discharge will use B4LIDDUP & B4ULLDUP
5. Size 5 Up Discharge will use B5LIDDUP & B5ULLDUP

AHU 4-5 Side Discharge- Direct Drive					
#	Description	Size 4	Qty	Size 5	Qty
1	Lid	B4LIDD	1	B5LIDD	1
2	Lid Liner	B4ULLD	1	B5ULLD	1
3	Venturi	F5020030MUSBI	1	F5020036MUSBI	1
4	Fan	VARIABLES	1	VARIABLES	1
5	Door Liner- Right	B4DORLH	1	B5DORRLH	2
6	Motor Positioning Plate	BMPP	2	BMPP	2
7	Back	B4SDBKHDD	1	B5SDBKHDD	1
8	Discharge Collar	B4DDC	2	B5DDC	2
9	Motor Mount Support	B4DDMMS	1	B5DDMMS	1
10	Motor Mount	B4DDMM	1	B5DDMM	1
11	Isolator	800113-D80	12	800113-D80	12
12	End Flashing	M4EFLS	2	M5EFLS	2
13	Bottom	B4SDBTH	1	B5SDBT	1
14	Horizontal Support	M4HSUP	5	M5HSUP	5
15	Main Rail	B4MNRL	2	B5MNRL	2
16	Bottom Liner	B4DDDDL	1	B5DDDDL	1
17	Door Hinge	HG-OTA100	6	HG-OTA100	12
18	Hinged Door- Right	B4DOORRH	1	B5DOORRH	2
19	Door Latches	A7-10-351-20	4	A7-10-351-20	4
20	Drip Rail- Right	B4DPRRH	1	B5DPRRH	1
21	Top Door Support	B4TDSH	2	B5TDSH	2
22	Right Front Post	B4RTFPH	1	B5RTFPH	1
23	Venturi Plate Extension	B4VPE	2	B5VPE	2
24	Venturi Plate	B4DDBAVP	1	B5DDBAVP	1
25	Left Front Post	B4LTFPH	1	B5LTFPH	1
26	Hinged Door-Left	B4DOORLH	1	B5DOORLH	2
27	Door Liner- Left	B4DORLH	1	B5DORLH	2
Not Shown	Bottom Side Right	N/A	N/A	B5BSIDRH	1
Not Shown	Bottom Side Left	N/A	N/A	B5BSIDBL	1
28	Drip Rail- Left	B4DPRLH	1	B5DPRLH	1
Not Shown	Lid Support	M4LSUP	1	M5LSUP	1

INLINE- Direct Drive Exploded View

Revision History				
#	Description	Revised by	ECN#	Date
0	Updates for Direct Drive Mods	PEM	2795	11/8/16



Filter Information	
Blower	Filter Size
15"	(1) 16IN x 20IN
20"	(1) 20IN x 25IN
24"	(2) 20IN x 25IN

- Notes:
- 1) Lifting Lugs = M1LIFTL (4 Required)
 - 2) Right Front Post has multiple configurations for various disconnect switches.
(RD) for rotary disconnect
(NS) for no switch
 - 3) Disconnect switch is dependent on motor load.
 - 4) All Units are insulated.

AHU 1-3 Inline- Direct Drive							
#	Description	Size 1	Qty	Size 2	Qty	Size 3	Qty
1	Lid	B1DDLIDS	1	B2LIDD	1	B3LIDD	1
2	Lid Liner	B1ULLD	1	B2ULLD	1	B3ULLD	1
3	Venturi Plate	B1DDBAVP	1	B2DDBAVP	1	B3DDBAVP	1
4	Venturi	F5020015MUSBI	1	F5020020MUSBI	1	F5020024MUSBI	1
5	Venturi Plate Extension	B1VPE	1	B2VPE	1	B3VPE	1
6	Right Front Post	B1RTFPH	1	B2RTFPH	1	B3RTFPH	1
7	Door Latch	A7-10-351-20	2	A7-10-351-20	4	A7-10-351-20	4
8	Right Door Hinged	B1DOORRH	1	B2DOORRH	1	B3DOORRH	1
9	Door Liner	B1DORLH	2	B2DORLH	2	B3DORLH	2
10	Door Hinge	HG-OTA100	4	HG-OTA100	4	HG-OTA100	4
11	Main Rail	ME12MR	2	B2MNRL	2	B3MNRL	2
12	Horizontal Support	M1HSUP	3	M2HSUP	3	M3HSUP	3
13	Bottom	B1SDBTH	1	B2SDBTH	1	B3SDBTH	1
14	Isolator	800113-D80	6	800113-D80	6	800113-D80	6
15	End Flashing	M1EFLS	2	M2EFLS	2	M3EFLS	2
16	Bottom Liner	B1DDINL	1	B2DDINL	1	B3DDDDL	1
17	Mount Mount Support	B1DDMMS	1	B2DDMMS	1	B3DDMMS	1
18	Motor Mount	B1DDMM	1	B2DDMM	1	B3DDMM	1
19	Discharge Collar	B1DDC	1	B2DDC	1	B3DDC	1
20	Back	B1SDBKHDD	1	B2SDBKHDD	1	B3SDBKHDD	1
21	Motor Positioning Plate	BMPP	2	BMPP	2	BMPP	2
22	Fan	Varies	1	Varies	1	Varies	1
23	Left Door Hinged	B1DOORLH	1	B2DOORLH	1	B3DOORLH	1
24	Drip Rail	B1DPRL	2	B2DPRL	2	B3DPRL	2
25	Top Door Support Hinged	B1TDSH	2	B2TDSH	2	B3TDSH	2
26	Left Front Post	B1LTFPH	1	B2LTFPH	1	B3LTFPH	1
27	Wheel Guard	B1DDWG	1	B2DDWG	1	B3DDWG	1
28	Filter Stop	N/A	N/A	B2NFSP	1	B3NFSP	1
29	Filter Side	B1NSID	2	B2NSID	2	N/A	N/A
30	Filter Top	B1NTOP	1	B2NTOP	1	B3NTOP	1
31	Filter Bottom	M12IBOT	1	M12IBOT	1	B3NBOT	1