

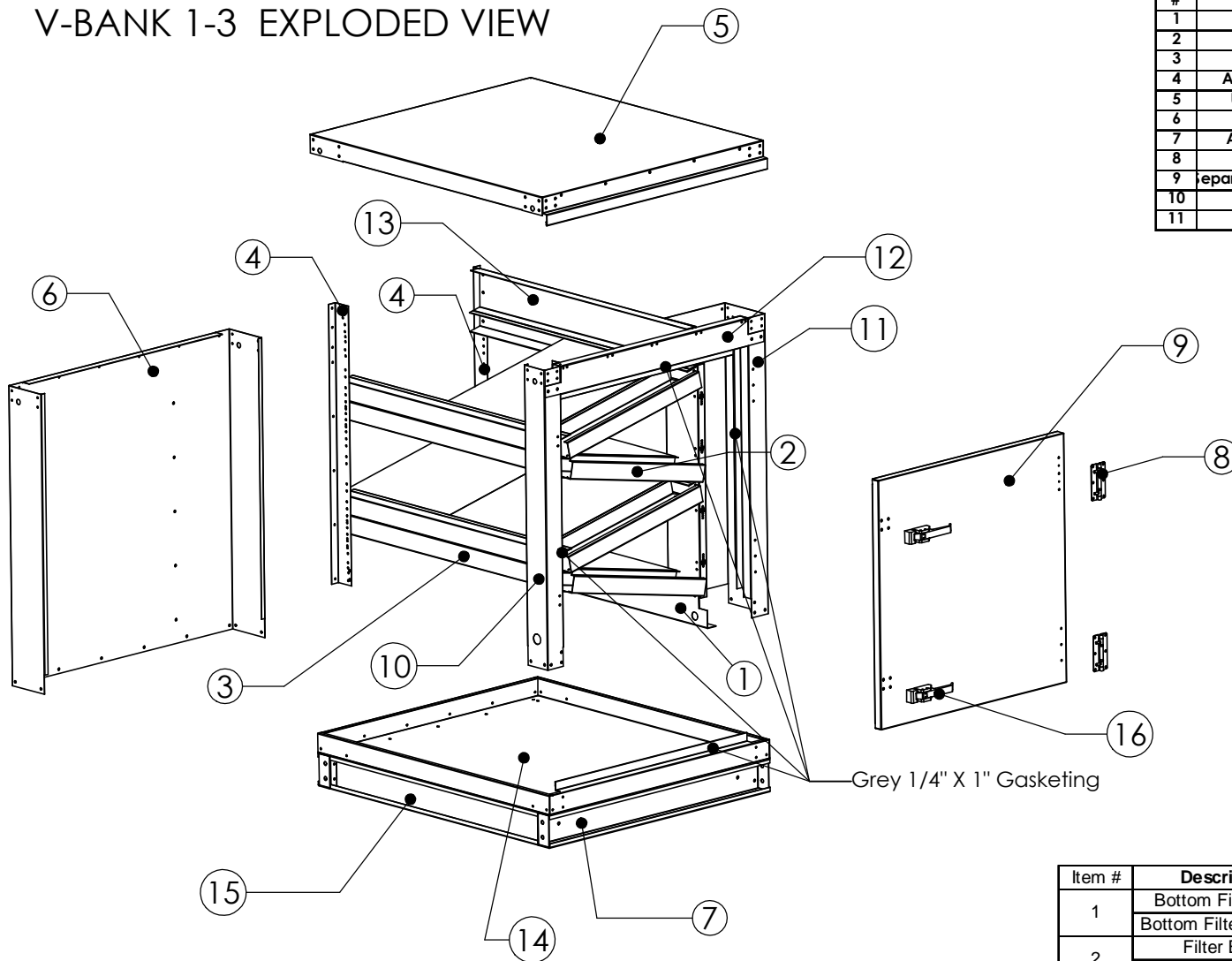
EXPLODED

VIEW

V-Bank

12/07/2018

V-BANK 1-3 EXPLODED VIEW



Revision History				
#	Description	Revised by	ECN#	Date
1	UPDATED VIEW	AJK	1896	2/25/10
2	Added Size 6	AJK	2129	8/24/10
3	Added Top Door Seal	NR	2207	1/17/11
4	Added Latch & Changed Door Hook	NR	2393	1/25/12
5	Updated Gasket on Top Door Seal	NR	2524	8/24/12
6	Updated Gasket on Top Filtr Blank	NR	2562	10/30/12
7	Added Notes for Insulated V Banks	NR	2576	12/28/12
8	Added Door Handle	JJH	2594	2/28/13
9	Separated Size 4,5,6 Vbank Exploded View	JJH	2789	6/4/15
10	Added Hinged Doors to 1/2/3	DAM	2795	11/18/16
11	Added 4" Option Details	PEM	3039	12/7/18

V-Bank Media Size		
For	Dimensions (2")(Quantity)	Dimensions (4")(Quantity)
Size 1	20x25x2 (3)	20x25x4 (3)
Size 2	16x20x2 (8)	16x20x4 (8)
Size 3	20x25x2 (8)	20x25x4 (8)
Size 4	16x20x2 (15)	16x20x4 (15)
Size 5	20x25x2 (12)	20x25x4 (12)
Size 6	20x25x2 (18)	20x25x4 (18)

Item #	Description	#1	#2	#3
1	Bottom Filter Blank	E1BFBLH	E2BFBLH	E3BFBLH
	Bottom Filter Blank 4"	E1BFBL4INH		
2	Filter Blank	E1FBLK (3)	E2FBLK (4)	E3FBLK (4)
	Filter Blank 4"	E1FBLK4INH (3)		
3	Filter Track	E1FTRKH (6)	E2FTRKH (8)	E3FTRKH (8)
	Filter Track 4"	E1FTRKH4INH (6)		
4	Filter Track Support	E1FTSPH (2)	E2FTSPH (2)	E3FTSPH (2)
5	Lid	E1LIDD	E2LIDD	E3LIDD
6	Left Side	E1LSIDH	E2LSIDH	E3LSIDH
7	Main Rail	ME12MR (2)		ME3MNRL (2)
8	Door Hinges	HG-OTA100(2)		
9	Right Door	EC1RDORH	EC2RDORH	EC3RDORH
10	Right Rear Door Jam	E1RRDJH	E2RRDJH	E3RRDJH
11	Right Front Post	E1VRTFPH	E2VRTFPH	E3VRTFPH
12	Top Door Seal	E1VTDSPH	E2VTDSPH	E3VTDSPH
13	Top Filter Blank	E1TFBLH	E2TFBLH	E3TFBLH
	Top Filter Blank 4"	E1TFBL4INH		
14	Bottom	E1VBOTTH	E2VBOTTH	E3VBOTTH
15	End Flashing	M1EFLS (2)	M2EFLS (2)	M3EFLS (2)
16	Latches	A7-10-351-20 (1)	A7-10-351-20 (2)	

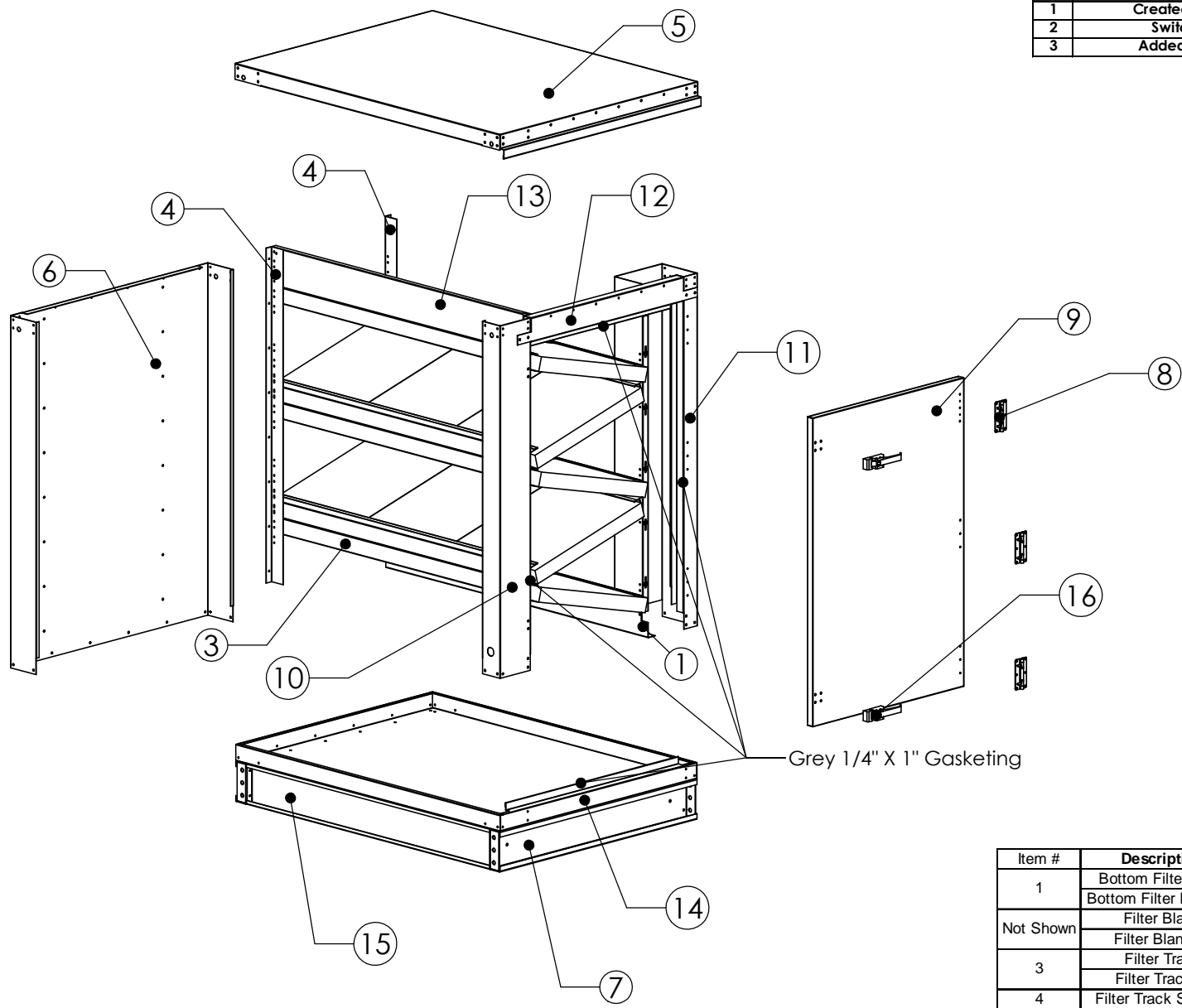
NOTES:

- 1) E1FBLK and E3FBLK ARE CAULKED TO THE LEFT SIDE (E*LSID)
E2FBLK and E5FBLK ARE PLACED BETWEEN EC*RDORH AND FILTER.
- 2) Refer to Insulated V Bank Cut Size Data Sheet for Insulated V Banks.
Only Size 2 and Size 5 units use Filter blanks on Insulated V Banks.
- 3) When 4" V-Bank option is chosen, P/Ns for items # 1, 2, 3 & 13 will differ. Refer to BOM for P/Ns

One Part Required Unless Otherwise Noted

V-BANK 4-6 EXPLODED VIEW

Revision History				
#	Description	Revised by	ECN#	Date
1	Created for Hinged Doors	JJH	2789	6/4/15
2	Switched hinge side	PEM	2844	10/20/15
3	Added 4" Option Details	PEM	3039	12/7/18



V-Bank Media Size		
For	Dimensions (2\"/> (Quantity)	Dimensions (4\"/> (Quantity)
Size 1	20x25x2 (3)	20x25x4 (3)
Size 2	16x20x2 (8)	16x20x4 (8)
Size 3	20x25x2 (8)	20x25x4 (8)
Size 4	16x20x2 (15)	16x20x4 (15)
Size 5	20x25x2 (12)	20x25x4 (12)
Size 6	20x25x2 (18)	20x25x4 (18)

Item #	Description	#4	#5	#6
1	Bottom Filter Blank	E4BFBLH	E5BFBLH	E6VBFBHLH
	Bottom Filter Blank 4"	E4BFBL4INH	E5BFBL4INH	E6BFBL4INH
Not Shown	Filter Blank	N/A	E5FBLK	N/A
	Filter Blank 4"	N/A	E5FBLK4INH	N/A
3	Filter Track	E4FTRKH (10)	E5FTRKH (12)	E6FTRKH(12)
	Filter Track 4"	E4FTRK4INH (10)	E5FTRK4INH (12)	E6FTRK4INH (12)
4	Filter Track Support	E4FTSPH (2)	E5FTSPH (2)	
5	Lid	E4LIDD	E5LIDD	E6LIDD
6	Left Side	E4LSIDH	E5LSIDH	
7	Main Rail	ME45MR (2)		
8	Door Hinges	HG-OTA100(3)		
9	Right Door	E4RDORH	E5DORH	
10	Right Rear Door Jam	E4RRDJH	E5RRDJH	
11	Right Front Post	E4RTFPH	E5RTFPH	
12	Top Door Seal	E4TDSH	E5TDSH	
13	Top Filter Blank	E4TFBLH	E5TFBLH	E6TFBLH
	Top Filter Blank 4"	E4TFBL4INH	E5TFBL4INH	E6TFBL4INH
14	Bottom	E4VBOTH	E5VBOTH	E6VBOTH
15	End Flashing	M4EFLS (2)	M5EFLS (2)	ME6EFLS (2)
16	Latches	A7-10-351-20 (2)		

NOTES:

- E1FBLK and E3FBLK ARE CAULKED TO THE LEFT SIDE (E*LSID) E2FBLK and E5FBLK ARE PLACED BETWEEN E*RDORH AND FILTER.
- Refer to Insulated V Bank Cut Size Data Sheet for Insulated V Banks. Only Size 2 and Size 5 units use Filter blanks on Insulated V Banks.
- When 4" V-Bank option is chosen, P/Ns for items #1,2, 3 & 13 will differ. Refer to BOM for P/Ns.

One Part Required Unless Otherwise Noted